



KASTOR

THE HOTTEST OF THE HOT



*We have warmed people for a century now.
During that time, technology has taken
mankind further than in any preceding
millennium – even to the moon and back.
We spent the same time producing delightful
heat using the latest achievements while
making sure that our products warmed
the eye, as well.*

Kastor – The hottest of the hot.

THE HOTTEST OF THE HOT.

PRIMAL ENERGY

KASTOR WOOD BURNING SAUNA STOVES

- 10 Description
- 12 Technical superiority
- 14 Models

KASTOR ELECTRICAL SAUNA STOVES

- 16 Description
- 18 Models

KASTOR FIREPLACES

- 20 Description
- 22 Models

KASTOR FIREPLACE INSERTS

- 24 Description
- 26 Models

KASTOR MODULAR CHIMNEYS

- 28 Description
- 30 Installation examples

TECHNICAL DATA

- 32 Wood burning stoves
- 34 Electrical stoves
- 35 Control centres for
electrical stoves
- 36 Fireplaces
- 36 Modular chimneys
- 37 Fireplace inserts
- 37 Kastor Chimney Set



Steel

Born in fire to withstand the burning soul of its creator.

Insulates heat, binds warmth and creates security.

*Only the best steel is strong enough to protect us from
fire's primal energy and in turn guard it from the
environment's quenching forces.*

Stone

Universal foundation, mirror of time and symbol of eternity. Its inertia and equanimity calms the sputters of raging fires and absorb their strength, turning their fury into languid warmth, water into steam, blazing glow into enfolding shadows.









Fire

*The grand wizard who makes matter transform.
Frightening when freed, warming when chained,
it obeys only skilled hands. Mankind's greatest
invention. In front of it we find peace and a
connection to our ancestry.*

KASTOR WOOD BURNING SAUNA STOVES

We have manufactured wood burning sauna stoves for nearly a century now, longer than any other company in the world. Over these years, we have learned a lot about fire, its handling and its precariousness. Anyone can light a fire, but nurturing it is nearly a form of art. We have two guidelines in design and manufacturing: A master's touch leaves nothing extraneous and a master's touch cannot be achieved with low grade material. Our products are simple and reliable, although their elegant form is based on solutions born from decades of experience and modern technology.

QUALITY MATERIAL

Our products contain only the best possible material, procured from reliable suppliers we have gathered over the years. We use only high quality structural steel, which can be bent into various solutions while retaining its hardness due to its uniform quality. Our glass covers are Ceram glass, which can withstand up to 800 °C while still allowing the fire's warm glow to spread into the room.

WE KNOW FIRE

Our products are heavy, which by itself is a sign of fireproof construction. Nevertheless, it is not the steel's thickness but its correct use that is important. One must know how fire moves and its effects. The hottest and most stressed part is not necessarily above the fire, depending on where the heat is channelled. The fire must also be fed with air to ensure optimally clean burning and economical heating.

SUPERIOR TECHNOLOGY

Our stoves can be fully heated with just one load of wood and they retain their temperature long after the flame has died down. This unique property is the sum of many factors. In addition to high quality material, the most important of these are the Coanda air circulation system, the air guidance sheet, the large and deep stone compartments and the sturdy doors. Read more about these and our other technical innovations as well as our comprehensive installation supplies further on.

Every Kastor wood burning stove comes with a three year warranty for the material.



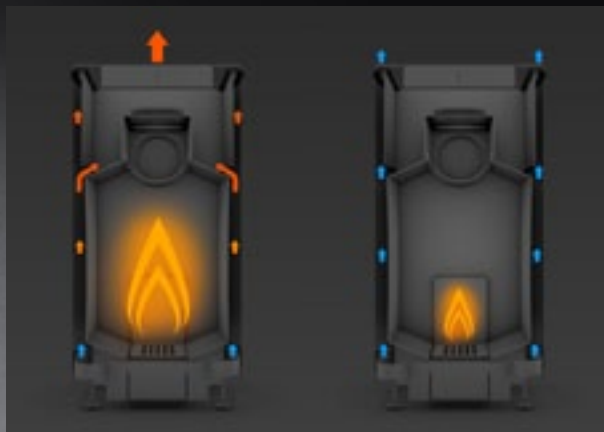
TECHNICAL SUPERIORITY

Harnessing fire for practical use is the basis of our existence. With time, we have invented ever more efficient methods to get more out of fire: hotter from hot. Our electrical stoves are built in the same spirit. Once they are done, they are dressed in an elegant and polished exterior, which will also not leave its viewer cold.

EVERY KASTOR WOOD BURNING STOVE COMES WITH A THREE YEAR WARRANTY FOR THE MATERIAL.

- 1 Large and deep stone compartments
- 2 Coanda air circulation system
- 3 Air guide
- 4 Door window of Ceram glass, capable of withstanding 800 °C
- 5 Sturdy doors
- 6 High grade steel used throughout
- 7 Outer mantle of stainless zinc-aluminium alloy
- 8 Adjustable legs





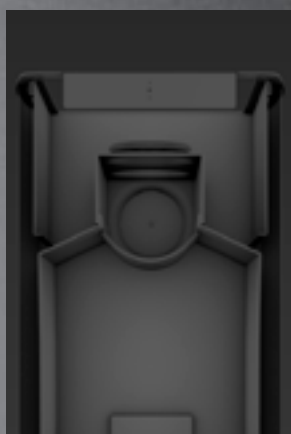
COANDA AIR CIRCULATION SYSTEM

Between the outer mantle and the core are air channels that guide the air heated by the fire box through slits into the stone compartment. This ensures smooth and quick heating of the stones and, in turn, plenty of steam and effective air circulation in the sauna. As the fire dies down, the fire box walls cool and the air stops rising to the stone compartment due to the Coanda effect. This allows the stones to retain their heat.



AIR GUIDE

Surprisingly, the hottest part of the stove is not the top of the fire box but the back wall, where the heat gets sucked due to the air flow. All Kastor stove have an air guide plate in the back of the fire box, which reinforces the hottest, most stressed point and improves burning while saving on wood.



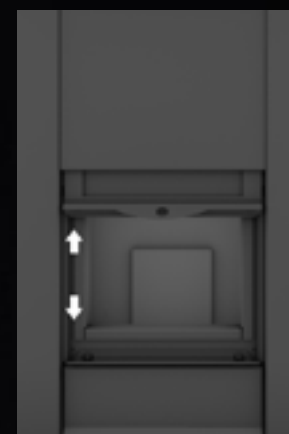
DEEP AND OPEN STONE COMPARTMENTS

The thrown water should always hit the stones instead of the metal. Kastor electrical and wood burning sauna stoves have deep and wide stone compartments to ensure that it is easy to throw water on the stones without letting it cool the heat source. The result is smoother steam output while the heat source retains its temperature. In addition to smoother steam output, the large stone compartment also saves energy.



DOUBLE MANTLE CONSTRUCTION

New Kastor KO and KH wood burning sauna stoves boast an advanced double mantle structure, in which air flows between the inner and outer mantle. The inner mantle gather the heat and leaves the outer mantle cooler. Although the outer mantle does heat up as temperatures rise in the sauna, it is not as scalding as the structure responsible for heating the stones. Due to this, all KO, KH and KT stoves have smaller safety distances than usual.



ELEVATOR DOOR

The only stove on the market with an elevator door. No need to consider the door's opening direction, since it slides into the front panel. Being counterweighted and lightly hinged makes it very easy to open and close.

THE KASTOR RANGE OF WOOD BURNING SAUNA STOVES

Our extensive range of wood burning sauna stoves cover many kinds of sauna applications. The most important criterion in choosing a sauna stove is the sauna's effective internal volume, which is affected by its wall material among other things. If the sauna has more than 2 m² of glass or brick surface or non-insulated log, the effective volume grows and you need a more efficient stove.

Regardless of the wood burning stove's manufacturer, a waterproof tiled floor should always be protected with a stove base plate. An efficient stove will always radiate heat downwards as well, which may damage your floor's waterproofing. Remember to ask your retailer for a KASTOR protective stove base.



KH-20 + VK-20

This stove breaks completely new ground with its large, rising elevator glass door. The separate 28 litre water tank VK-20 extends the stove's width by 150 mm.

Sauna: **8–20 m³**
 Dimensions with water tank (w,d,h):
670 x 546 x 928 mm
 Stone capacity: **60 kg**
 Output: **18 kW**

K0-20

This elegant stove features a glass fire compartment door, which covers the complete height of the stove front, allowing the fire's flickering glow to light the sauna.

Sauna: **8–20 m³**
 Dimensions (w,d,h):
520 x 546 x 928 mm
 Stone capacity: **60 kg**
 Output: **18 kW**

KT-S-20

Sauna stove/fireplace combination with a glass door on the fireplace side that can be switched to open in either direction. The sauna side has a big window. Thus, the fire illuminates two rooms and both sides permit wood feeding and ash removal.

Sauna: **8–20 m³**
 Dimensions (w,d,h):
520 x 546 x 928 mm
 Stone capacity: **60 kg**
 Output: **18 kW**

KT-H-20

Sauna stove/fireplace combination with an elegant glass elevator door on the fireplace side and a window on the sauna side. Similar to the KT-S-20 model except for the fire compartment's door mechanism.

Sauna: **8–20 m³**
 Dimensions (w,d,h):
520 x 546 x 928 mm
 Stone capacity: **60 kg**
 Output: **18 kW**

KSIS-20V

The KSIS series of through-wall models provides a combination of stove and fireplace with an impressive glass door on the fireplace side. The water tank holds 28 litres.

Sauna: **8–17 m³**
 Dimensions with water tank (w,d,h):
655 x 490 x 786 mm
 Stone capacity: **60 kg**
 Output: **18 kW**

**K-007**

Finland's smallest wood burning sauna stove. Suitable boat saunas, for instance.

Sauna: **3–7 m³**
 Dimensions (w,d,h):
330 x 430 x 600 mm
 Stone capacity: **25 kg**
 Output: **7 kW**

**KS-12**

This popular powerhouse for small saunas has gained a new satin steel front panel finish. Slightly more matte than normal steel, it is less easily dented or scratched. The glass door has also been redesigned.

Sauna: **5–12 m³**
 Dimensions (w,d,h):
 without water tank: **420 x 510 x 660 mm**
 with water tank: **590 x 510 x 660 mm**
 Stone capacity: **40 kg**
 Output: **12 kW**

**KS-20**

Our classic model has been given a new satin steel front panel and an elegant glass door. Our best-selling wood burning stove has the size and power to suit most saunas.

Sauna: **8–20 m³**
 Dimensions (w,d,h):
 without water tank: **490 x 510 x 780 mm**
 with water tank: **655 x 510 x 780 mm**
 Stone capacity: **60 kg**
 Output: **18 kW**

**KS-27**

The high performance wood burning stove for large saunas with a big glass door and a 28 litre water tank has also received a new satin steel finish in front. The water tank can be installed on either side.

Sauna: **15–24 m³**
 Dimensions (w,d,h):
 without water tank: **490 x 510 x 920 mm**
 with water tank: **655 x 510 x 920 mm**
 Stone capacity: **65 kg**
 Output: **20 kW**

**KS-37**

Efficient heater for large saunas. The KS-37 is available with one or two water tanks like all other Kastor wood burning stoves.

Sauna: **25–37 m³**
 Dimensions (w,d,h):
 without water tank: **580 x 610 x 920 mm**
 with double water tanks: **900 x 610 x 920 mm**
 Stone capacity: **75 kg**
 Output: **30 kW**



KASTOR ELECTRICAL SAUNA STOVES

Our long history as the world's first manufacturer of wood burning sauna stoves prepared us well for the production of electrical sauna stoves. We are familiar with fire and thus with the challenges presented by heat flows. We know how to turn heat into pleasant warmth. The principles remain the same, be the source of heat a resistance element aglow with electricity or cleanly burning wood. We also know how to build an energy saving stove that channels the heat properly for a pleasant and extended sauna session.

HANDMADE, NO COMPROMISE

For us, finishing work means manual work. Although the latest technology has been harnessed to support our production, nothing can supplant the eye and the sense of touch in quality control. Our choice of material for electrical stoves follows the same principles we apply to wood burning stoves, although a live fire demands thicker material. The heat source of an electrical stove is just as sensitive to water as a fire: the resistance elements are there to heat the stones, not the water thrown on them. That is why we pay particular attention to the locations of the resistance elements within the stove: the stone compartment has a wide opening to ensure that the water hits the stones, not the metal. Even the incoming angle of the water has been accounted for.

CHANNELLING THE HEAT

Our task is to turn raw heat into pleasant warmth. In stoves, that is a matter of guiding the air through its hot heart and from there into the surrounding room. We are unsurpassed masters of this art. While the idea is simple, optimal air guidance is a game of skill, in which every detail counts. A narrow air duct can stifle the flow, but overly wide ducts will pass the air too quickly through the hot core and leave the steam lukewarm. As we said, the placing of the resistance elements plays a central part in the steam experience, since only water that hits the stones will steam up correctly.

Every Kastor electric stove comes with a three year warranty for the material.

THE KASTOR RANGE OF ELECTRICAL SAUNA STOVES

Our efficient and reliable stoves will be a familiar sight to visitors of public saunas. We offer the same quality for saunas of all sizes. As with wood burning stoves, the central criterion for choosing a model is the sauna's internal volume.

All of our electric sauna stoves can be connected to an electronic control panel or separate control centre.



LUNA

This ingenious and elegant combination stove offers a choice of soft or bracing heat. The soapstone backing and the traditional stone compartment have been integrated into a stylish assembly. Using its mounting brackets the stove can be installed in a corner or mounted on a wall.

Output: **6 kW, 11 kW**

Control panel: **Separate control panel CC-10 or CC-50**



MEGA-LINE STONE

To aficionados, a combination of soapstone and a large stone compartment are the perfect recipe for a smooth, mellow sauna bath. The technical properties of this free-standing stove are in a class of its own. It is available in several sizes.

Output: **6 kW, 8 kW, 10 kW, 12,5 kW, 15 kW**

Control panel: **Separate control panel CC-10 or CC-50**



MEGA-LINE

Thanks to its round shape, this floor-mounted stove fits into many kinds of saunas. Its exceptionally deep stone compartment offers a sturdy steam output. Available in several sizes. The MEGA EZ stoves have a hexagonal shape.

Output: **8 kW, 10 kW, 12,5 kW, 15 kW, 20 kW, EZ 22,5 kW**

Control panel: **Separate control panel CC-10 or CC-50, EZ models with CK control centres.**



INFERNO SUPER

Easy to use, top of the line stove. The resistance elements completely surround the separate stone compartment to heat all stones equally. The control panel is placed in the surrounding chromed ring. Also available with detached control panel. A choice of black or brushed stainless steel for the mantle. The wall-mountable Inferno Super stoves heat a sauna quickly and efficiently.

Output: **6 kW, 8 kW, 10 kW**

Control panel: **Integrated or separate control panel CC-10 or CC-50**





INFERNO II

Our wall mounted stoves are elegant appliances that are designed for the requirements of small saunas. For instance, the controls are mounted at the upper edge. Available in black and brushed stainless steel colours.

Output: **6 kW, 8 kW**

Control panel: **Integrated or separate control panel CC-10 or CC-50**

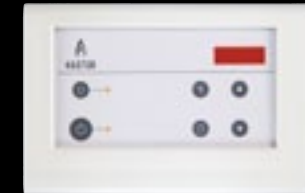


CC-10

The electronic control panel distributes power separately to each heating element. The light diodes show the set temperature and time on a scale of 1-10. A maximum of 3 hours running time and 10 hours pre-set time.

For stove models: **Inferno II, Inferno Super, Mega-Line, Mega-Line Stone, Luna**

Dimensions (w,d,h): **150 x 35 x 95 mm**
Place outside of sauna.



CC-50

Clear indicators of temperature and pre-programmed time for control and adjustment. Switch for manual and automatic regulation of sauna room lighting. 3-12 hours running time (adjustable) and 0-10 hours pre-set time.

For stove models: **Inferno II, Inferno Super, Mega-Line, Mega-Line Stone, Luna**

Dimensions (w,d,h): **195 x 45 x 130 mm**
Place outside of sauna.

KASTOR FIREPLACES

All of our fireplaces are designed for heating. We have developed our own burning system, which heats the room as efficiently, cleanly and economically as possible. During the past hundred years we have also learned to choose our material in such a way that their heat economy and safety are indisputably top of the line.

HOTTEST OF THE HOT

The role of sauna stoves as heat sources is obvious. Our promise to provide the “hottest of the hot” also applies to our fireplaces, for their heat output is excellent and their good looks warm the eye. The same design philosophy applies to both sauna stoves and fireplaces: uncluttered, elegant lines and reliable function.

PRIMAL POWER FOR URBAN SURROUNDINGS

All of our fireplaces warm up quickly and efficiently whenever there is a need. Due to their modern looks they will blend in with urban homes as well as holiday cottages to create a warm and comfortable atmosphere. Their structure makes them easy to install even in finished building and even by yourself. With our ingenious modular Kastor chimneys these fireplaces can be installed in almost any room without sacrificing fire safety.

CLEAN HEAT

The secret of clean burning is in the air circulation. Our unique burning system sucks its replacement air from the room and dries the air while it is heating. In other words, our fireplaces ventilate the whole room by taking in moist air and releasing dry heat. This property will be particularly appreciated by holiday cottage owners who want to quickly bring up a nice warmth into a cold house. Our system yields outstanding burning efficiency: The wood burns cleanly and efficiently without releasing noxious flue gas.

Every Kastor fireplace comes with a three year warranty for the material.



THE KASTOR RANGE OF FIREPLACES

Our fireplaces are easy to install, as long as you remember to adhere to fire prevention regulations concerning safety distances. They fit into many kinds of houses with pre-built chimneys or where it is possible to install one of our ready-made modules. This will not call for difficult masonry work.

All Kastor fireplaces have two power settings: They can be efficient heat providers or mellow atmosphere enhancers.



MELODY

This elegant, semi-storing family of lightweight fireplaces warms the room quickly and efficiently while providing an impressive highlight to the room's decoration. They can be placed almost anywhere – within fire safety limits – as they stand by themselves and can be attached to the chimney from above or behind. The new triple air intake fire chamber brings quick heat and burns cleaner than ever. Available with soapstone or a lower weight steel cladding. CE certified.

Room volume: **max 230 m³**

Output range: **2–15 kW**

Dimensions (w,d,h): **550–616 x 402 x 935–1120 mm**

Weight: **86 kg (steel cladding), 287–366 kg (soap stone cladding)**



OPERA ROSSO / NERO / STEEL

The handsome stone or steel clad Opera with the big glass door holds many little technical innovations that expand its use from a mere decorative highlight to a viable heat source. The colour of the stone cladding can be easily changed. CE certified.

Room volume: **max 250 m³**

Output range: **2–16 kW**

Dimensions (w,d,h): **640 x 505 x 1315 mm**

Weight: **210 kg (Rosso/Nero), 170 kg (Steel)**



TANGO

The light of the flickering fire shines across the room through Tango's large glass door and big side windows. This modern, sophisticated fireplace will also fit somewhat smaller rooms. CE certified.

Room volume: **max 200 m³**
 Output range: **2–12 kW**
 Dimensions (w,d,h):
520 x 525 x 1425 mm
 Weight: **160 kg**



BRAVO SOAPSTONE

Bravo is well suited for any room that needs to be heated quickly. Can be connected to the chimney from the top or the back.

Room volume: **max 230 m³**
 Output range: **2–15 kW**
 Dimensions (w,d,h):
630 x 530 x 1140 mm
 Weight: **270 kg**



PRINCESS

The large bay windows bring out the fire in all its beauty. This small but efficient fireplace will fit even small rooms due to its size and usability.

Room volume: **max 250 m³**
 Output range: **2–16 kW**
 Dimensions (w,d,h):
670 x 460 x 1130 mm
 Weight: **85 kg**



CAVALIER

This fireplace's surface is untreated cast light concrete, which is easily finished according to your taste, for instance by plastering. It is easy to assemble and you can create its final look.

Room volume: **max 250 m³**
 Output range: **2–16 kW**
 Dimensions (w,d,h):
950 x 660 x 1350 mm
 Weight: **240 kg**



KASTOR FIREPLACE INSERTS

The design of all our products centres on heat output. We get more out of fire. This also applies to our fireplace inserts, which will radically change the nature of your open fireplace from a mere decoration to an effective source of heat. This is an economical and reliable addition to your heating needs.

THE HEART OF THE INSERT

The insert is the soul of the fireplace. Within it, the fire burns smoke-free, ashes and flue gas stay under control and you need not compromise on calming warmth and light. You can build almost any kind of fireplace around a Kastor insert – and conversely, you can install a handsome Kastor insert into almost any fireplace. A fireplace insert will make your house's heart beat warmer.

HOT, NOT SCALDING

We know fire inside and out. Steel is one of the few materials that can withstand fire year in, year out and even for decades, although it goes through heat expansion time and again. This calls for particular attention to the quality of the steel and built-in tolerances for expansion and shrinking. The smallest flaw can cause cracks in the structure. It is a matter of channelling the heat, so that it is released into the room in a controlled and safe manner.

Every Kastor fireplace insert comes with a three year warranty for the material.

THE KASTOR FIREPLACE INSERT RANGE

With our wide range of inserts you can turn your open fireplace into a gorgeous heat source. Or if you are planning on building a fireplace, it's easy to build it around a fireplace insert. Our model range will provide you with one that suits your room.



TS-1

Behind its clear and elegant lines this insert holds well implemented and finished details. CE certified.

Room volume: **30–200 m³**
Output range: **2–15 kW**
Weight: **100 kg**



TS-2

The curved glass door of this insert opens up a wide view of the fire and spreads its light evenly across the room. CE certified.

Room volume: **30–200 m³**
Output range: **2–15 kW**
Weight: **100 kg**



TS-3

Fireplace insert with redeveloped combustion system and a stylish, large glass door. CE certified.

Room volume: **50–200 m³**
Output range: **2–20 kW**
Weight: **126 kg**



TS-6

The redeveloped, advanced combustion system burns wood more efficiently than ever. The curved glass door spreads the fire's flickering light throughout the room. CE certified.

Room volume: **20–120 m³**
Output range: **1–10 kW**
Weight: **83 kg**

**TS-26**

The two parts of this glass door require less room to open.

Room volume: **30–200 m³**
 Output range: **2–15 kW**
 Weight: **54 kg**

**TS-36**

Elegant fireplace insert with curved glass door.

Room volume: **30–200 m³**
 Output range: **2–15 kW**
 Weight: **56 kg**

**TS-56**

The lovely bay window style model, which brings the fire into the room like a living work of art.

Room volume: **30–250 m³**
 Output range: **2–16 kW**
 Weight: **69 kg**

**TS-57**

The bay window style glass door presents the fire like on a tray. TS-57 can be embedded into the fireplace.

Room volume: **30–250 m³**
 Output range: **2–16 kW**
 Weight: **69 kg**



KASTOR MODULAR CHIMNEYS

Kastor's modular chimneys are high quality, safe, CE certified and very easy to install. It is based on a simple principle: You use the modules to assemble exactly the chimney you need by adding piece by piece from the fireplace connection up to the rain cover on top. The parts are guaranteed to fit and you do not need special tools to attach them. We offer a wide range of colours to fit your interior, in case a part of the pipe is visible in the living room. The chimney can also run straight through the wall and be attached to the outer wall of the house. Do remember to ask the relevant authorities about local building ordinances first.

DESIGNED TO LAST

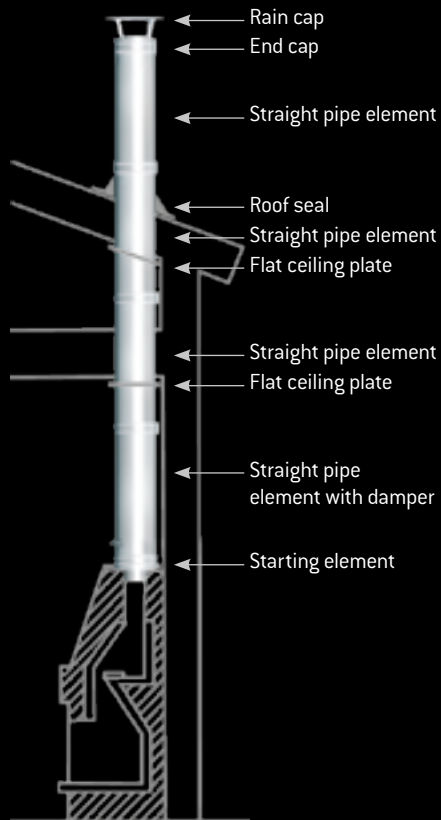
Chimneys are exposed to many kinds of stresses both on the outside and inside. In addition to the heat, chimneys need to withstand temperature changes, moisture and flue gasses. The internal piping in Kastor modular chimneys is made of strong, acid-proof steel. We use two sorts of wool material for insulation and the outer mantle is powder painted or stainless steel. With our modular chimneys almost any building can be equipped with a fireplace, if it is at all permitted according to local building ordinances.

Every Kastor modular chimney comes with a ten year warranty for the material.

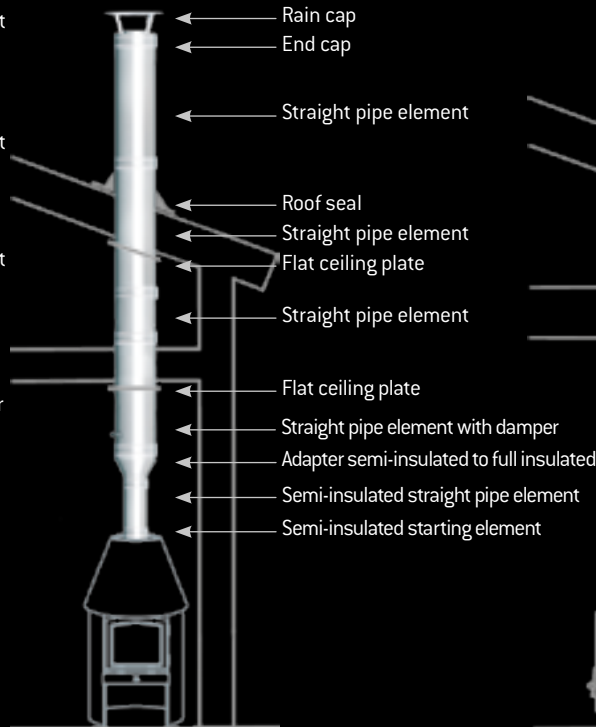
KASTOR MODULAR CHIMNEYS

Installation examples.

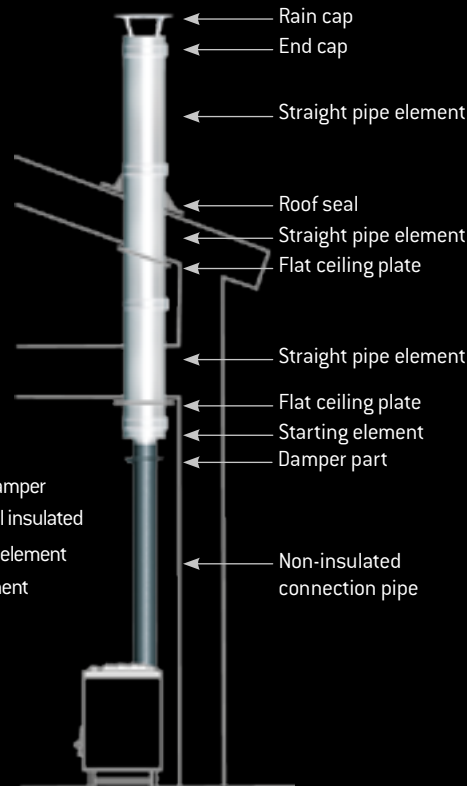
INSTALLATION FROM ON TOP OF THE FIREPLACE



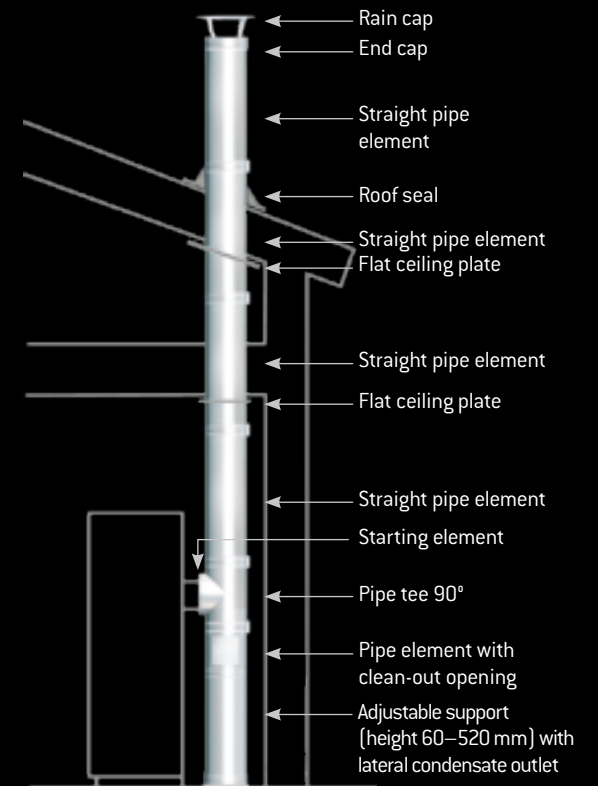
**INSTALLATION FROM ON TOP OF THE FIREPLACE
SEMI-ISOLATED START**



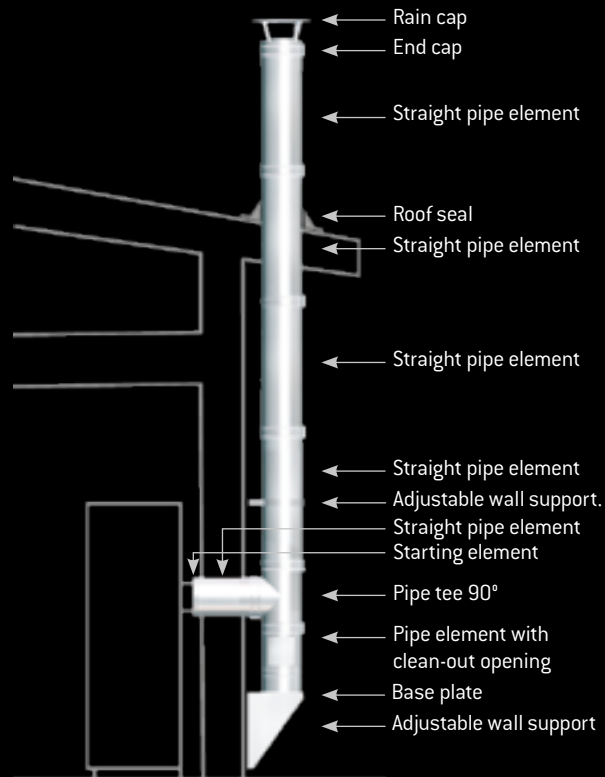
INSTALLATION WITH NON-INSULATED CONNECTION PIPE



INTERNAL INSTALLATION FROM BACK

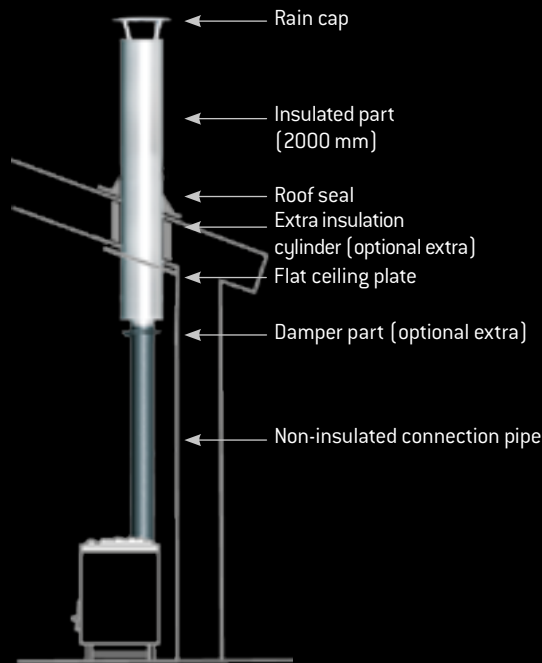


INSTALLATION ON OUTSIDE WALL



KASTOR CHIMNEY SET

The Kastor Chimney Set is a ready to install package that includes the uninsulated connection pipe, ceiling plate, 2 metres of insulated section and the rain cap.

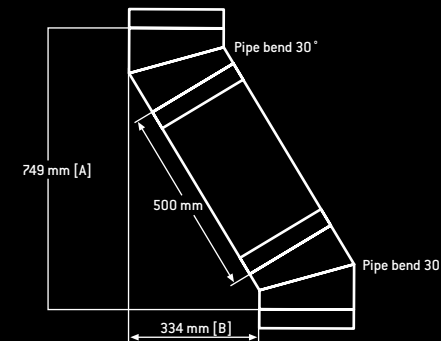


CHIMNEY CALCULATOR

A modular chimney consists of several parts in different sizes. The size and shape of these modules are determined by the installation location and the fireplace's dimensions. The chimney calculator allows You to find out quickly exactly which modules You need. Print out Your calculation and take it to Your Kastor dealer. The chimney calculator is on the web at Kastor.fi

MODEL	LENGTH OF STRAIGHT PIPE ELEMENT [A] (mm)	LATERAL MOVEMENT [B] (mm)	RISE (mm)	ANGLE OF PIPE BEND
LATERAL MOVEMENT				
2 x PIPE BEND	–	116	371	30°
2 x PIPE BEND + STRAIGHT PIPE ELEMENT 250	250	209	532	30°
2 x PIPE BEND + STRAIGHT PIPE ELEMENT 500	500	334	749	30°
2 x PIPE BEND + STRAIGHT PIPE ELEMENT 1000	1000	584	1182	30°

STRAIGHT PIPE ELEMENT 500



TECHNICAL DATA

MODEL	SAUNA SIZE (m ³)	OUT- PUT (kW)	WID x DEP x HEI (mm)	SAFETY DISTANCE FROM STOVE (mm)			WATER TANK (l)	FLUE OPENING Ø (mm)	DISTANCE FROM CENTRE OF UPPER FLUE OPENING TO BACK EDGE (mm)	REAR FLUE OPENING HEIGHT OF FROM FLOOR (mm)	WEIGHT WITHOUT STONES (kg)	AMOUNT OF STONES (kg)
				FRONT	SIDES	BACK						
WOOD BURNING STOVES												
K-007	3–7	7	330x430x600	500	500	500	no	104	110	410	32	25
KS-12	5–12	12	420x510x660	500	500	500	no	104	110	450	48	40
KL-16	9–16	15	435x490x710	500	500	500	no	104	140	505	55	40
KS-20	8–20	18	490x510x780	500	500	500	no	104	140	513	62	60
KS-27	17–27	20	490x510x920	500	500	500	no	129	140	640	72	65
KS-37	25–37	30	580x610x920	500	500	500	no	129	140	640	118	75
KSIS-20	8–17	18	490x490x786*	500	500	500	no	104	140	Connection only from top	76	60
KSIS-27	17–27	20	490x490x920*	500	500	500	no	129	140	Connection only from top	86	65
KSIS-37	25–37	30	580x590x920*	500	500	500	no	129	145	Connection only from top	135	75
KO-20	8–20	18	520x546x928	500	200	200	no	104	165	532	99	60
KH-20	8–20	18	520x546x928	500	200	200	no	104	165	532	97	60
KT-S-20	8–20	18	520x546x928*	500	200	500	no	129	165	Connection only from top	119	60
KT-H-20	8–20	18	520x546x928*	500	200	500	no	129	165	Connection only from top	119	60
KS-12, KS-20, KS-27 ja KS-37 stoves height adjustable in front legs. KO-20, KH-20, KT-S-20 ja KT-H-20 adjustable legs in every corner. *) measurements from sauna side.												
Choose correctly sized stones												
For wood burning stoves the stones must have a minimum diameter of 10 cm.												
Every Kastor wood burning stove comes with a three year warranty for the material.												

MODEL	SAUNA SIZE (m ³)	OUT- PUT (kW)	WID x DEP x HEI (mm)	SAFETY DISTANCE FROM STOVE (mm)			WATER TANK (l)	FLUE OPENING Ø (mm)	DISTANCE FROM CENTRE OF UPPER FLUE OPENING TO BACK EDGE (mm)	REAR FLUE OPENING HEIGHT OF FROM FLOOR (mm)	WEIGHT WIT- HOUT STONES (kg)	STONE CAPACITY (kg)
				FRONT	SIDES (water tank side)	BACK						
WOOD BURNING STOVES WITH WATER TANKS												
KS-12V	5–9	12	590x510x660	500	500 (150)	500	25	104	110	450	53	40
KS-12VV	5–9	12	590x510x660	500	500 (150)	500	25	104	110	450	53	40
KL-16VE	8–15	15	435x675x710	500	500	500	22	104	110	505	60	40
KS-20V	8–17	18	655x510x780	500	500 (150)	500	28	104	140	513	67	60
KS-20VV	8–17	18	655x510x780	500	500 (150)	500	28	104	140	513	67	60
KS-20VVV	8–14	18	820x510x780	500	(150)	500	2 x 28	104	140	513	71	60
KS-27V	15–24	20	655x510x920	500	500 (150)	500	28	129	140	640	77	65
KS-27VV	15–24	20	655x510x920	500	500 (150)	500	28	129	140	640	77	65
KS-27VVV	15–21	20	820x510x920	500	(150)	500	2 x 28	129	140	640	81	65
KS-37V	23–34	30	740x610x920	500	500 (150)	500	28	129	145	640	125	75
KS-37VV	23–34	30	740x610x920	500	500 (150)	500	28	129	145	640	125	75
KS-37VVV	23–31	30	900x610x920	500	(150)	500	2 x 28	129	145	640	130	75
KSIS-20V	8–16	18	655x490x786*	500	500 (150)	500	28	104	140	Connection only from top	80	60
KSIS-20VV	8–16	18	655x490x786*	500	500 (150)	500	28	104	140	Connection only from top	80	60
KSIS-27V	17–26	20	655x490x920*	500	500 (150)	500	28	129	140	Connection only from top	90	65
KSIS-27VV	17–26	20	655x490x920*	500	500 (150)	500	28	129	140	Connection only from top	90	65
KO-20+VK-20	8–17	18	670x546x928	500	200 (150)	200	28	129	165	532	99+10	60
KH-20+VK-20	8–17	18	670x546x928	500	200 (150)	200	28	129	165	532	97+10	60
KT-S-20+VK-20	8–17	18	670x546x928*	500	200 (150)	500	28	129	165	Connection only from top	119+10	60
KT-H-20+VK-20	8–17	18	670x546x928*	500	200 (150)	500	28	129	165	Connection only from top	119+10	60

KS-12, KS-20, KS-27 ja KS-37 stoves height adjustable in front legs. V = Water tank to the right of door. VV = Water tank to the left of door. VVV = Water tank on both sides. *) measurements from sauna side.

Choose a correctly sized wood burning stove from our large range

Visible tile or glass surfaces raise effective volume of sauna. Add 3 cubic metres for each square metre of tile or single plate glass wall that exceeds 2 square metres. If the sauna's walls are uninsulated log, add 25% to volume. In edge cases always choose the larger stove.

Choose correctly sized stones

For wood burning stoves the stones must have a minimum diameter of 10 cm.

Every Kastor wood burning stove comes with a three year warranty for the material.

TECHNICAL DATA

MODEL	SAUNA SIZE (m ³)	OUTPUT (kW)	WID x DEP x HEI (mm)	MINIMUM CEILING HEIGHT (mm)	MINIMUM DISTANCES FROM STOVE (mm)					FUSE	CABLE SIZES		WEIGHT WITHOUT STONES (kg)	STONE CAPACITY (kg)
					Side wall	Upper deck	Lower deck	Ceiling	Floor		400V 3N ~	230 V ~		
ELECTRICAL STOVES														
LUNA 6	5–10	6	500x340x1130	2100	100	100	100	1000	20	3x10	5x1,5 mm ²	•	56	12+20
LUNA 11	8–16	11	500x340x1130	2100	100	100	100	1000	20	3x16	5x2,5 mm ²	•	56	12 + 20
INFERNO II 6 K	5–8	6	420x390x480	1900	50	70	30	1100	150	3x10	5x1,5 mm ²	•	11	30
INFERNO II 6 T	5–8	6	420x390x480	1900	50	70	30	1100	150	3x10	5x1,5 mm ²	•	11	30
INFERNO II 8 K	6–12	8	420x390x480	1900	50	70	30	1100	150	3x16	5x2,5 mm ²	•	11	30
INFERNO II 8 T	6–12	8	420x390x480	1900	50	70	30	1100	150	3x16	5x2,5 mm ²	•	11	30
INFERNO SUPER 6 K	5–8	6	370x450x430	1900	100*	70*	30*	1200	110	3x10	5x1,5 mm ²	•	11	18
INFERNO SUPER 6 T	5–8	6	370x450x430	1900	100*	70*	30*	1200	110	3x10	5x1,5 mm ²	•	11	18
INFERNO SUPER 8 K	6–12	8	370x450x590	2100	100*	70*	30*	1200	110	3x16	5x2,5 mm ²	•	15	22
INFERNO SUPER 8 T	6–12	8	370x450x590	2100	100*	70*	30*	1200	110	3x16	5x2,5 mm ²	•	15	22
INFERNO SUPER 10 K	8–15	10	370x450x590	2100	100*	70*	30*	1200	110	3x16	5x2,5 mm ²	•	16	22
INFERNO SUPER 10 T	8–15	10	370x450x590	2100	100*	70*	30*	1200	110	3x16	5x2,5 mm ²	•	16	22
INFERNO II / INFERNO SUPER models available with attached or detached controls. *) Given sizes without decorative pipe and control panel. Pipe adds required space + 50 mm/side. Control panel space requirement = stove diameter + 100 mm.														
K = attached controls. T = separate control panel, optional extra (CC-10 or CC-50).														
Choose a correctly sized wood burning stove from our large range														
Visible tile or glass surfaces raise effective volume of sauna. Add 3 cubic metres for each square metre of tile or single plate glass wall that exceeds 2 square metres. If the sauna's walls are uninsulated log, add 25% to volume. In edge cases always choose the larger stove.														
Choose correctly sized stones														
For electrical stoves the stones must have a diameter of 5-10 cm.														
Every Kastor electric stove comes with a three year warranty for the material.														

MODEL	SAUNA SIZE (m ³)	OUTPUT (kW)	WID x DEP x HEI (mm)	MINIMUM CEILING HEIGHT (mm)	MINIMUM DISTANCES FROM STOVE (mm)					FUSE	CABLE SIZES		WEIGHT WITHOUT STONES (kg)	STONE CAPACITY (kg)
					Side wall	Upper deck	Lower deck	Ceiling	Floor		400V 3N ~	230 V ~		
ELECTRICAL STOVES														
MEGA-LINE 60 STONE	5–8	6	460x480x700	1900	0	120	30	1200	0	3x10	5x1,5 mm ²	•	106	30
MEGA-LINE 80 STONE	6–12	8	460x480x700	1900	0	120	30	1200	0	3x16	5x2,5 mm ²	•	107	30
MEGA-LINE 100 STONE	8–15	10	460x480x700	1900	0	120	30	1200	0	3x16	5x2,5 mm ²	•	107	30
MEGA-LINE 125 STONE	14–22	12,5	590x600x830	2100	80	150	30	1320	0	3x25	5x6 mm ²	•	129	65
MEGA-LINE 150 STONE	19–27	15	590x600x830	2100	80	150	30	1320	0	3x25	5x6 mm ²	•	130	65
MEGA-LINE 80	6–12	8	370x450x650	1900	40*	70*	30*	1200	0	3x16	5x2,5 mm ²	•	15	22
MEGA-LINE 100	8–15	10	370x450x650	1900	40*	70*	30*	1200	0	3x16	5x2,5 mm ²	•	16	22
MEGA-LINE 125	14–22	12,5	480x540x780	2100	80	150	30	1320	0	3x25	5x6 mm ²	•	18	45
MEGA-LINE 150	19–27	15	480x540x780	2100	80	150	30	1320	0	3x25	5x6 mm ²	•	19	45
MEGA EZ 20	22–32	20	560x550x900	2300	150	150	30	1400	0	3x35	**	•	26	55
MEGA EZ 22.5	25–36	22,5	560x550x900	2300	150	150	30	1400	0	3x35	**	•	27	55
MEGA-LINE and MEGA-LINE STONE models only available with separate control panels. MEGA EZ only with separate control centre.														
*) Given sizes without decorative pipe. Pipe adds required space + 50 mm/side. **) Building central control centre = 5x10. Control centre – stove = 5x2.5 + 5x6.														
Every Kastor electric stove comes with a three year warranty for the material.														

MODEL	TYPE	TIMER	POSSIBILITY OF MANUAL REMOTE CONTROL	SHARED OUTPUT (phase)	APPLICABLE TO	
ELECTRICAL STOVE CONTROL DEVICES						
CC-10	CONTROL PANEL	•	10/3 h	-	3	INFERNO II T, INFERNO SUPER T, MEGA-LINE, MEGA-LINE STONE, LUNA
CC-50	CONTROL PANEL	•	10/3–12 h	on/off	3	INFERNO II T, INFERNO SUPER T, MEGA-LINE, MEGA-LINE STONE, LUNA
CT-2005	WEEKLY TIMER	•	day/week	-	-	Control panel CC-50
CK-103U	BASIC CENTRE	8/4 h	•	-	2	MEGA EZ 20-22.5
CK-164U	REMOTE CONTROL CENTRE	12+6 h	•	on/off	2	MEGA EZ 20-22.5
CK-182U	REMOTE CONTROL CENTRE	12+6 h	day/week	-	2	MEGA EZ 20-22.5
Every Kastor electric stove control device comes with a three year warranty.						

TECHNICAL DATA

MODEL	ROOM VOLUME max (m ³)	OUT-PUT (kW)	OUTPUT RANGE (kW)	WID x DEP x HEI (mm)	FLUE GAS OPENING ¹ (mm)	DISTANCE FROM CENTRE OF UPPER FLUE OPENING TO BACK EDGE (mm)	UPPER FLUE GAS OPENING ² (mm)	SAFETY DISTANCE FROM FIREPLACE (mm)				MODULAR CHIMNEY INSTALLATION		WEIGHT (kg)	OTHER
								Sides	Back	Front	Above	From top	From back		
FIREPLACES															
MELODY 920	230	7	2-15	616x402x935	129 (723)	205	202	400	250	1000	600	KC Ø 130 mm	KC Ø 130 mm	287 (307)	
MELODY 920 STEEL	230	7	2-15	550x402x935	129 (723)	205	202	400	250	1000	600	KC Ø 130 mm	KC Ø 130 mm	86	
MELODY 1150	230	7	2-15	616x402x1120	129 (723)	205	202	400	250	1000	600	KC Ø 130 mm	KC Ø 130 mm	344 (366)	
OPERA ROSSO	250	10	2-16	640x505x1315	129 (1050)	150	150	400	250	1000	600	KC Ø 130 mm	KC Ø 130 mm	210*	*) mantle 160 kg, cladding stones 50 kg
OPERA NERO	250	10	2-16	640x505x1315	129 (1050)	150	150	400	250	1000	600	KC Ø 130 mm	KC Ø 130 mm	210*	
OPERA STEEL	250	10	2-16	640x505x1315	129 (1050)	150	150	400	250	1000	600	KC Ø 130 mm	KC Ø 130 mm	170	
TANGO	200	6	2-12	520x525x1425	129 (1152)	192	192	400	250	1000	600	KC Ø 130 mm	KC Ø 130 mm	160	
BRAVO SOAPSTONE	230	6	2-15	630x530x1140	129 (920)	210	210	250	250	1000	600	KC Ø 130 mm	KC Ø 130 mm	270	soapstone; installation on site
PRINCESS	250	10	2-16	670x460x1130	156 (870)	140	140	150 ³	150	1000	600	KC Ø 150 mm	KC Ø 150 mm	85	
CAVALIER	250	7	2-16	950x660x1350	156 (880)	205	205	50 ³	50	1000	600	KC Ø 150 mm	KC Ø 150 mm	240	installation on site, surface treatment

1) First number is diameter of flue gas opening, in brackets height of lower edge from floor. 2) Topmost flue gas opening centre point distance from fireplace back wall. 3) Safety distance from glass 500 mm. **) With back stones

Every Kastor fireplace comes with a three year warranty for the material.

MODEL	INTERNAL PIPE	INTERNAL DIAMETER	EXTERNAL DIAMETER	SAFETY DISTANCE	TEMPERATURE CLASS	CE CERTIFICATION	WEIGHT kg/m
KASTOR KC MODULAR CHIMNEY							
KASTOR KC MODULAR CHIMNEY 100	1 mm	100 mm	220 mm	50 mm	T600	Yes	approx. 10 kg
KASTOR KC MODULAR CHIMNEY 130	1 mm	130 mm	250 mm	50 mm	T600	Yes	approx. 11 kg
KASTOR KC MODULAR CHIMNEY 150	1 mm	150 mm	270 mm	50 mm	T600	Yes	approx. 13 kg
KASTOR KC MODULAR CHIMNEY 180	1 mm	180 mm	300 mm	50 mm	T600	Yes	approx. 14 kg
KASTOR KC MODULAR CHIMNEY 225	1 mm	225 mm	355 mm	50 mm	T600	Yes	approx. 17 kg

External mantle available in colours: Stainless steel, black paint, red paint, grey paint, white paint. Internal pipe acid-proof. T600 temperature class.

All RAL colours available by factory order.

Lengths of pieces: 250 mm, 500 mm and 1000 mm.

Every Kastor modular chimney comes with a 10 year warranty for the material.

MODEL	ROOM VOLUME (m ³)	OUTPUT (kW)	OUTPUT RANGE (kW)	MANTLE WID x DEP x HEI (mm)	EXPANSION ROOM (sides, up, back)	FRAME WID x DEP (mm)	FLUE GAS OPENING Ø (mm)	INSTALLATION DIMENSIONS (mm)			WEIGHT (kg)
FIREPLACE INSERTS								A	B	C	
TS-1	30–200	8	2–15	528x445x480	10 mm each side **	650 x 557	129	•	280	217	100
TS-2	30–200	8	2–15	528x445x480	10 mm each side *	605 (+90) x 557	129	•	280	217	100
TS-3	50–200	12	2–20	664x452x516	10 mm each side *	792x592	156	•	280	203	126
TS-6	20–120	5	1–10	410x406x415	10 mm each side **	487/578x493	129	•	250	185,5	83
TS-12	20–120	5	1–10	405x400x400	10 mm each side	510 x 468	160	•	260	180	40
TS-21	50–300	12	2–20	664 x 440 x 522	10 mm each side	830 x 592	174	•	268	170	67
TS-26	30–200	8	2–15	530x470x480 ***		695 x 535	160	•	305	210	54
TS-36	30–200	8	2–15	530x435x480 ***		695 x 577	160	•	270	180	56
TS-56	30–250	10	2–16	DRAWING B-C x 496		DRAWING B-C	160	DRAWING	DRAWING	130	69
TS-57	30–250	10	2–16	DRAWING B-C x 496		DRAWING B-C	160	DRAWING	DRAWING	130	69
TS-77	30–200	8	2–15	530 x 440 x 480	10 mm each side	680 x 550	160	•	300	190	69

Drawing A shows installation dimensions for fireplace inserts TS-1, TS-2, TS-3, TS-6, TS-26 and TS-36.

Drawings B and C show installation dimensions for fireplace inserts TS-56 and TS-57. Dimensions in brackets are for TS-57.

*) Front frame 14 mm below mantle **) Front frame 0 mm below mantle ***) The mantle can be lowered 40 mm by removing the base risers

Every Kastor fireplace inserts come with a three year warranty for the material.

MODEL	INTERNAL PIPE	INTERNAL DIAMETER	EXTERNAL DIAMETER	SAFETY DISTANCE	TEMPERATURE CLASS	CE CERTIFICATION	WEIGHT kg/m
KASTOR CHIMNEY SET							
KASTOR CHIMNEY SET 100	1 mm	100 mm	220 mm	50 mm	T600	Yes	approx. 10 kg
KASTOR CHIMNEY SET 130	1 mm	130 mm	250 mm	50 mm	T600	Yes	approx. 11 kg

External mantle: stainless steel. Internal pipe acid-proof. T600 temperature class.

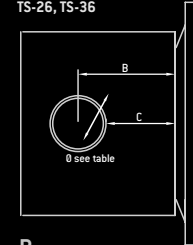
All RAL colours available by factory order.

Kastor Chimney Set: Insulated part 2000 mm. Insulated section can be extended to max. 5 metres.

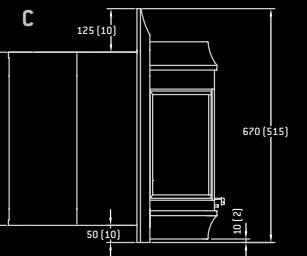
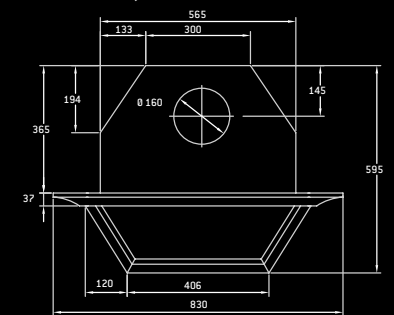
Kastor Chimney Set contains: Non-insulated connection pipe, insulated part, rain cap, rain collar, flat ceiling plate (incline 0–30°).

Kastor Chimney Set comes with 10 years warranty on the material

A
TS-1, TS-2, TS-3, TS-6,
TS-26, TS-36



B
TS-56, TS-57



*Helo Oy is a subsidiary of Helo Group Oy,
a world leader in sauna products.*

*Helo Group Oy consists of Helo Oy and Tylö Ab on
the European markets and Saunatec Inc in the USA.
The group has an annual turnover of about €80 million
and 460 employees worldwide.*

*Helo Oy in turn encompasses Helo GmbH in Germany,
Helo Sarl in France, Helo Rus in Russia and Helo UK
in Great Britain. As a whole, Helo Oy has an annual
turnover of about €35 million and about 230 employees.*



KASTOR

HELO OY
Tehtaankatu 5-7
11710 RIIHIMÄKI
FINLAND
www.kastor.fi